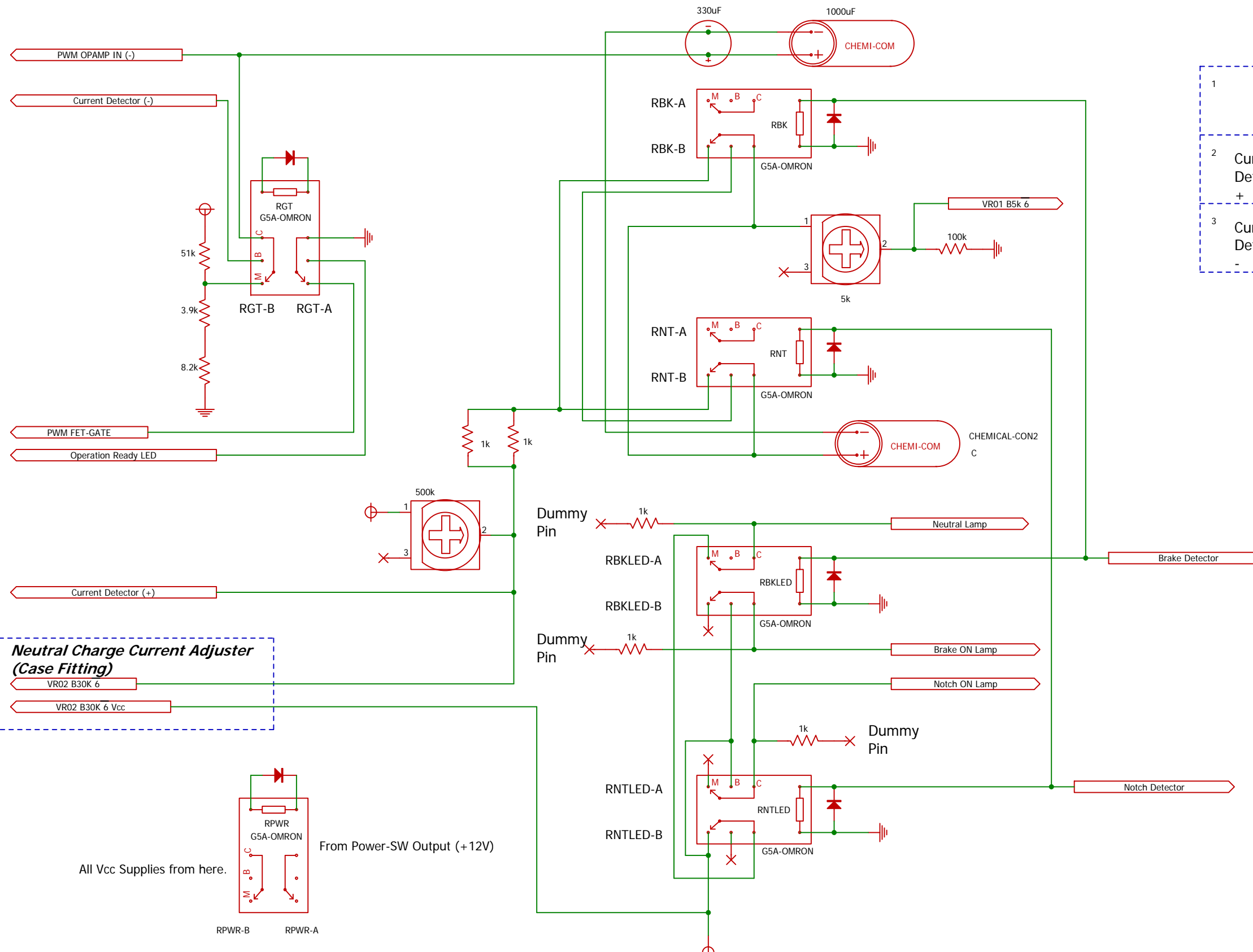


"Relay and CR Board" Parts Position and Connection. (Solder Side View)



Panel Unit Connector Pin Name

1	4	7	10	13					
2	Current Detector +	5	DC +	8	DC -	11	14	+12V	
3	Current Detector -	6	Brake ON	9	Neutral	12	Notch ON	15	GND

Neutral Charge Current Adjuster (Case Fitting)
 VR02 B30K 6
 VR02 B30K 6 Vcc

All Vcc Supplies from here.
 From Power-SW Output (+12V)