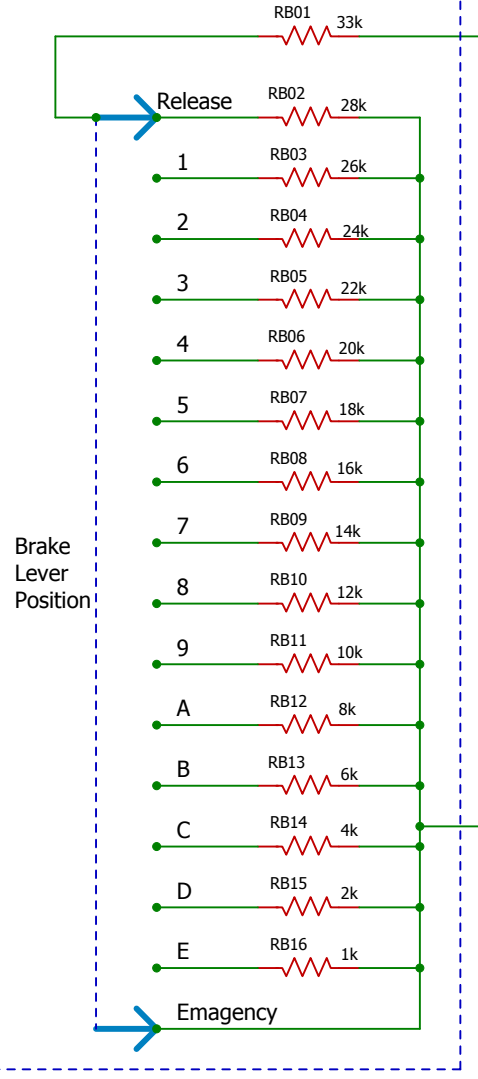


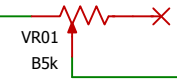
This Power-Supply is to all VCC's.

Brake Board

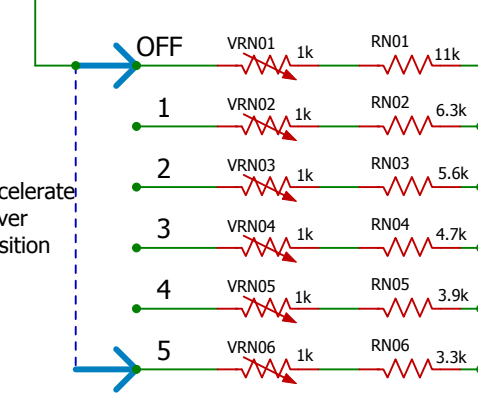


Brake Lever Position

Starting Voltage Adjuster (Case Fitting)



Notch Board

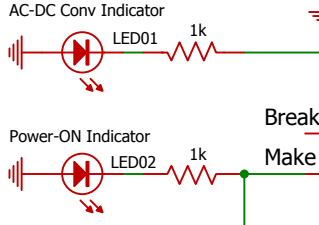


Accelerate Lever Position

VRN01 to 06 Accelerate Linearity settings.

to AC-DC Converter (Max +12V)

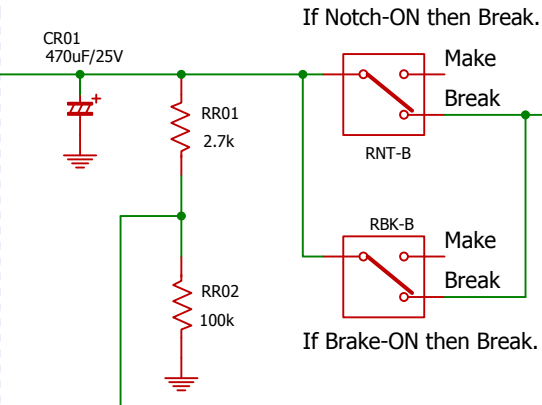
Service Connector (Max +12V)



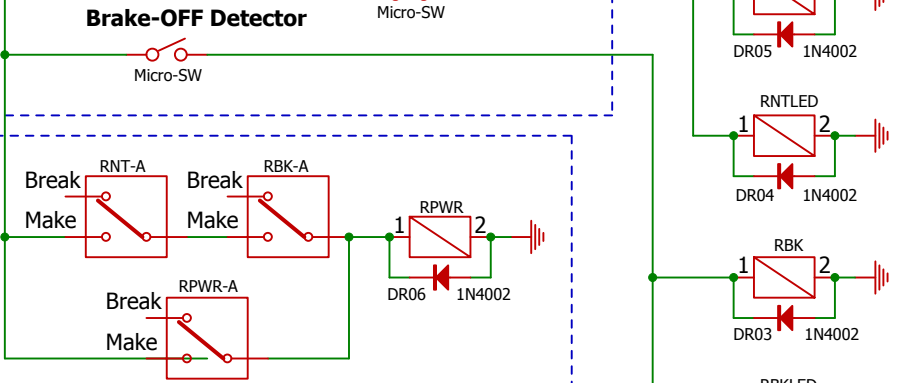
Neutral Charge Current Adjuster (Case Fitting)



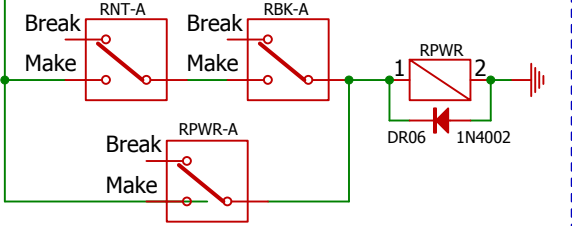
Relay and CR-Bridge Board



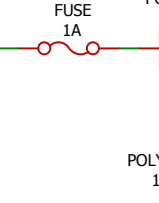
Notch-Off Detector



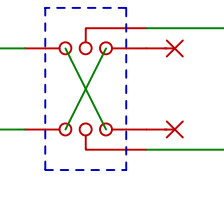
Brake-Off Detector



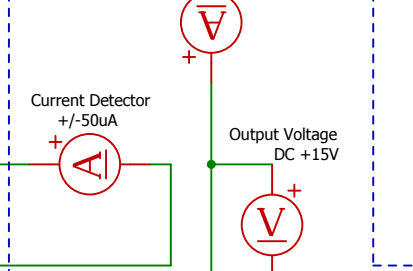
Protection



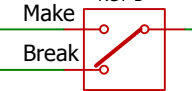
Running Direction (Toggle Switch.)



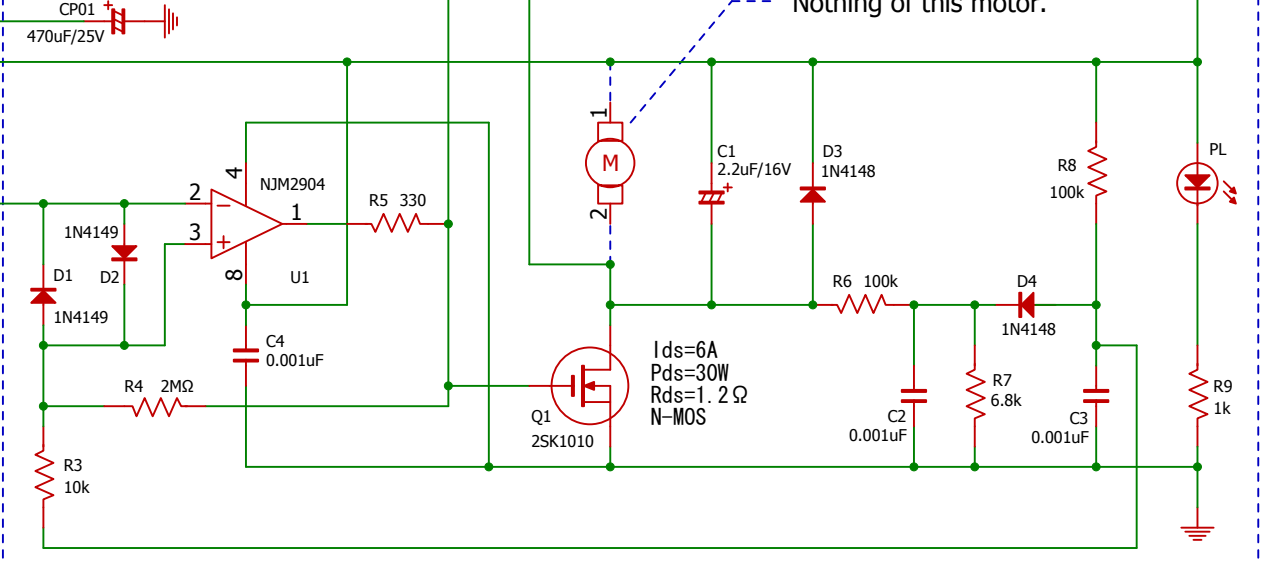
Indicator Panel Unit



From Power-ON make to break 27sec. (Need charging 20sec)



PWM Motor-Controller Kit



Nothing of this motor.

Ids=6A
Pds=30W
Rds=1.2Ω
N-MOS